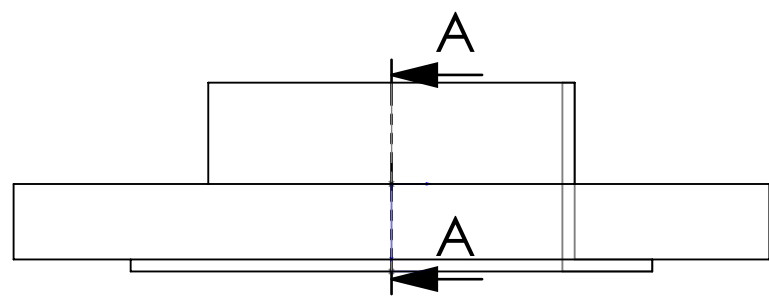
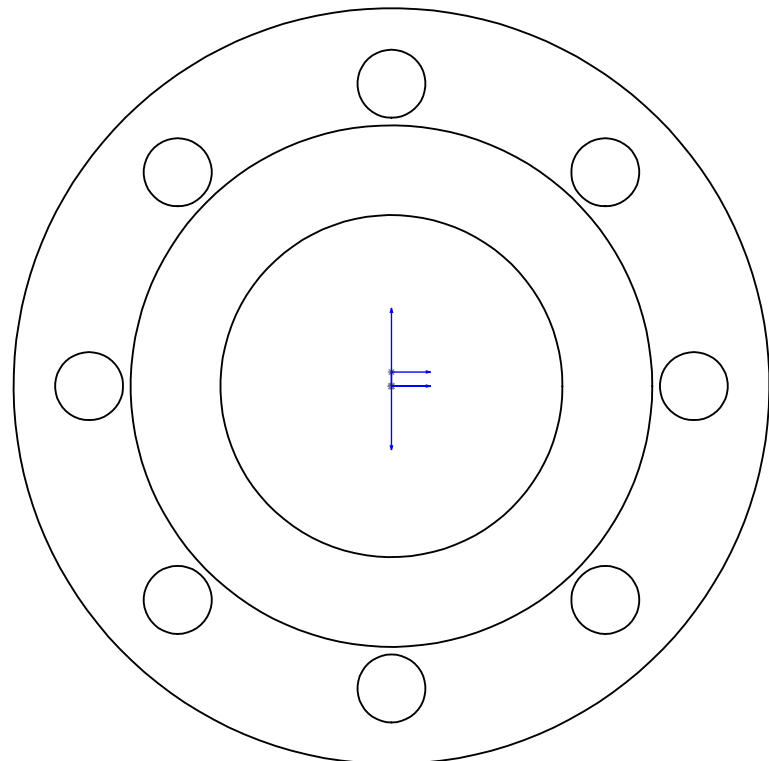
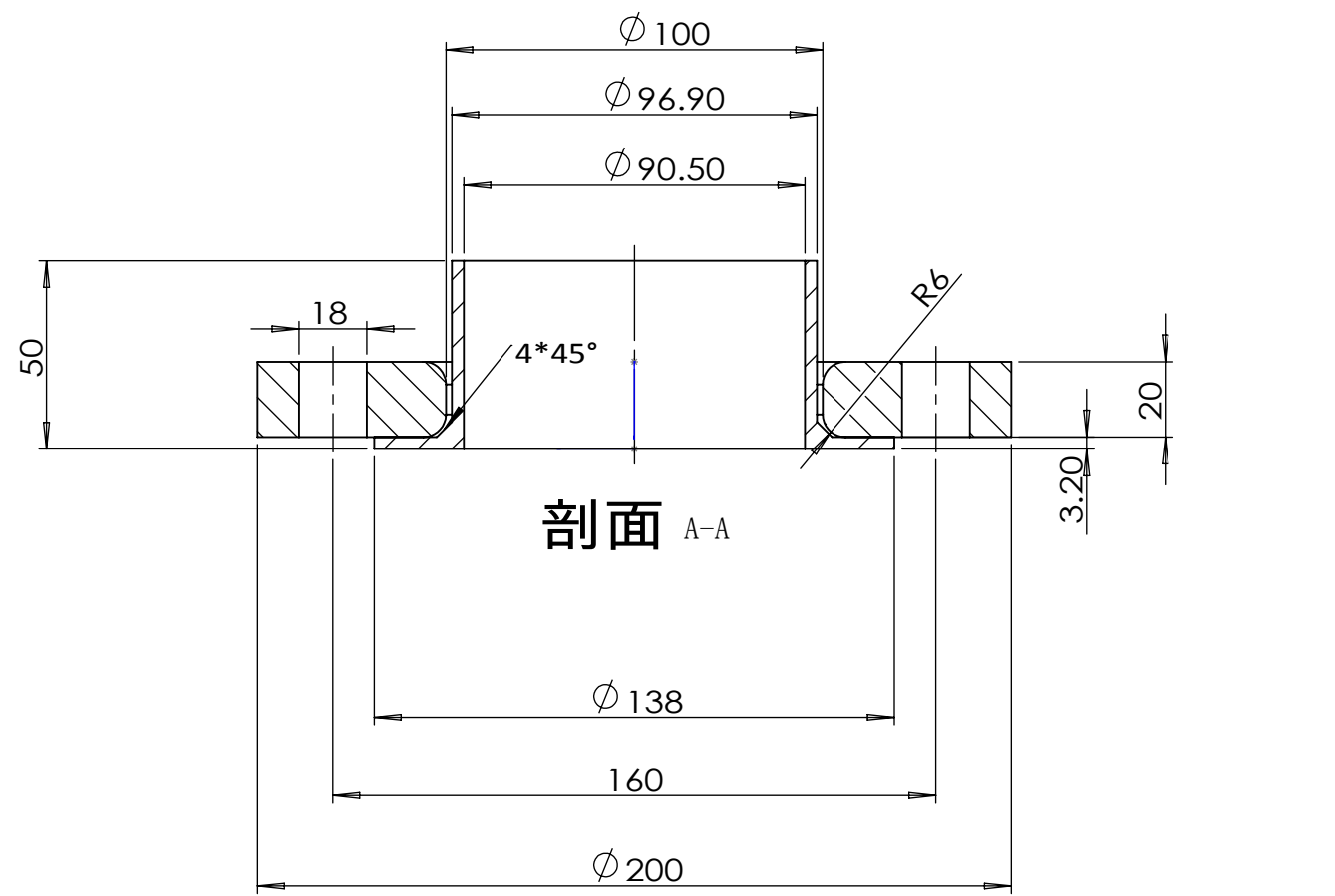


FNAME



REVISIONS					
E.R. #	E.A.R. #	LTR	DESCRIPTION	APPROVED	DATE



SIERRA
EXPERIENCE OUR PASSION FOR FLOW!

5 HARRIS COURT MONTEREY, CA 93940 800-866-0200

PROPRIETARY NOTE:
THIS DRAWING IS THE PROPERTY OF SIERRA INSTRUMENTS INC. DO NOT REPRODUCE, DISSEMINATE, OR DISCLOSE TO OTHERS WITHOUT THE PRIOR EXPRESS WRITTEN CONSENT OF SIERRA INSTRUMENTS INC.

UNLESS OTHERWISE SPECIFIED ALL DIMENSIONS ARE IN mm		DRAWING TITLE: DN80 PN16 法兰				
TOLERANCES ON:		APPROVALS	DATE	SIZE:	DRAWING NUMBER:	REV:
DECIMAL:	ANGLE:	DRAWN: Lucy.Zhou		B		1
.X	±1°	CHECKED:		SCALE: DNA	SHEET: 1 OF 1	
.XX		CHECKED:		DO NOT SCALE DRAWING		
.XXX		CHECKED:				