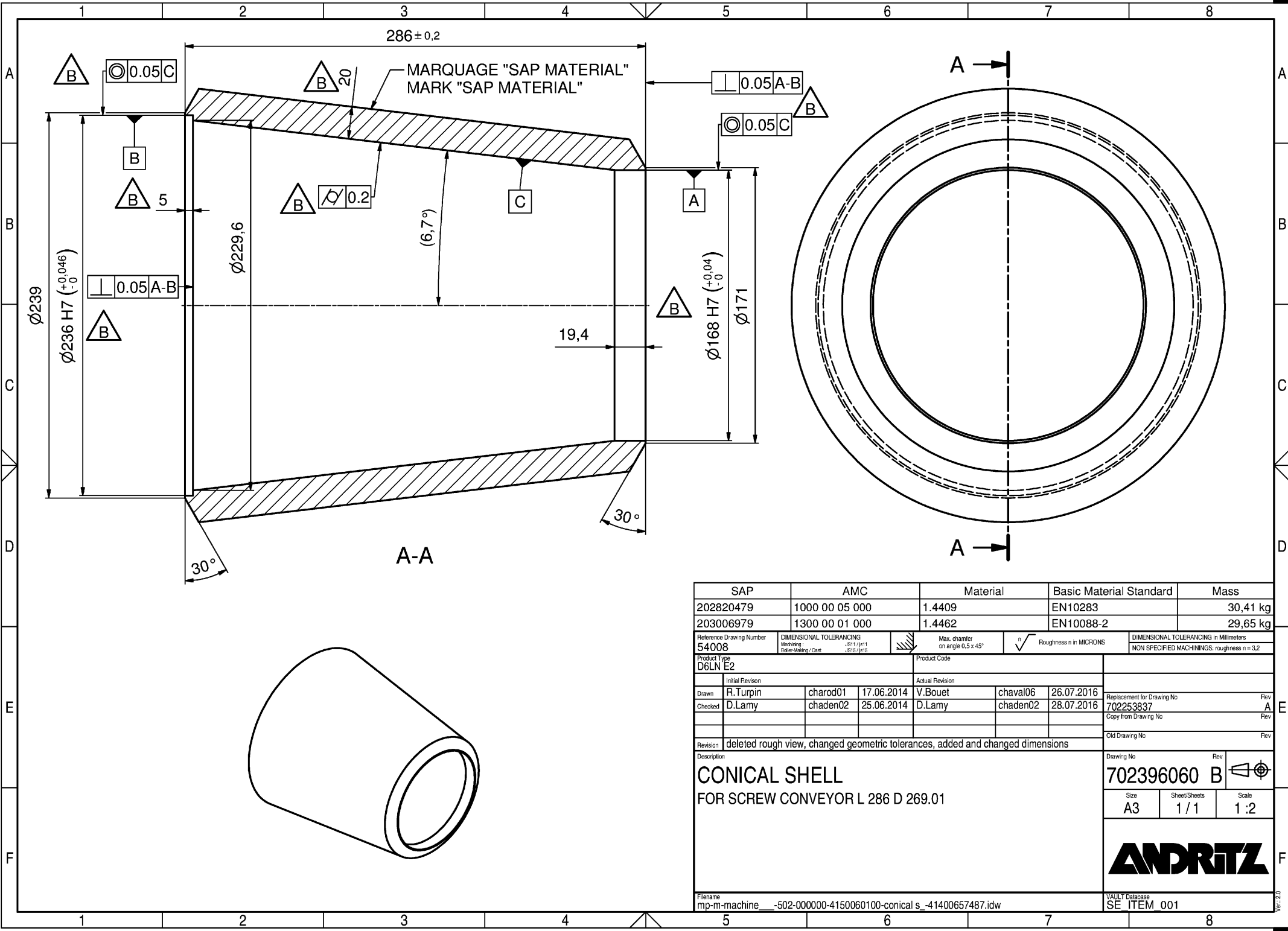


without limitation the prior art, which is hereby incorporated by reference for the payment of damages. All rights reserved in this event of the grant of a patent, utility model or design. (ISO 10306)



SAP	AMC	Material	Basic Material Standard	Mass
202820479	1000 00 05 000	1.4409	EN10283	30,41 kg
203006979	1300 00 01 000	1.4462	EN10088-2	29,65 kg
Reference Drawing Number 54008	DIMENSIONAL TOLERANCING Machining: JS11 / jk11 Roller-Making / Cast JS16 / jk16	Max. chamfer α angle 0,5 x 45°	Roughness n in MICRONS	DIMENSIONAL TOLERANCING in Millimeters NON SPECIFIED MACHININGS: roughness n = 3,2
Product Type D6LN E2	Product Code			
Initial Revision	Actual Revision			
Drawn R.Turpin	charod01	17.06.2014	V.Bouet	chaval06 26.07.2016
Checked D.Lamy	chaden02	25.06.2014	D.Lamy	chaden02 28.07.2016
Revision deleted rough view, changed geometric tolerances, added and changed dimensions				Old Drawing No
Description CONICAL SHELL FOR SCREW CONVEYOR L 286 D 269.01				Drawing No 702396060
				Rev B
Size A3		Sheet/Sheets 1 / 1	Scale 1 : 2	
				VAULT Database SE ITEM_001
				File name mp-m-machine_-502-000000-4150060100-conical s_-41400657487.idw