

REC 03102/15

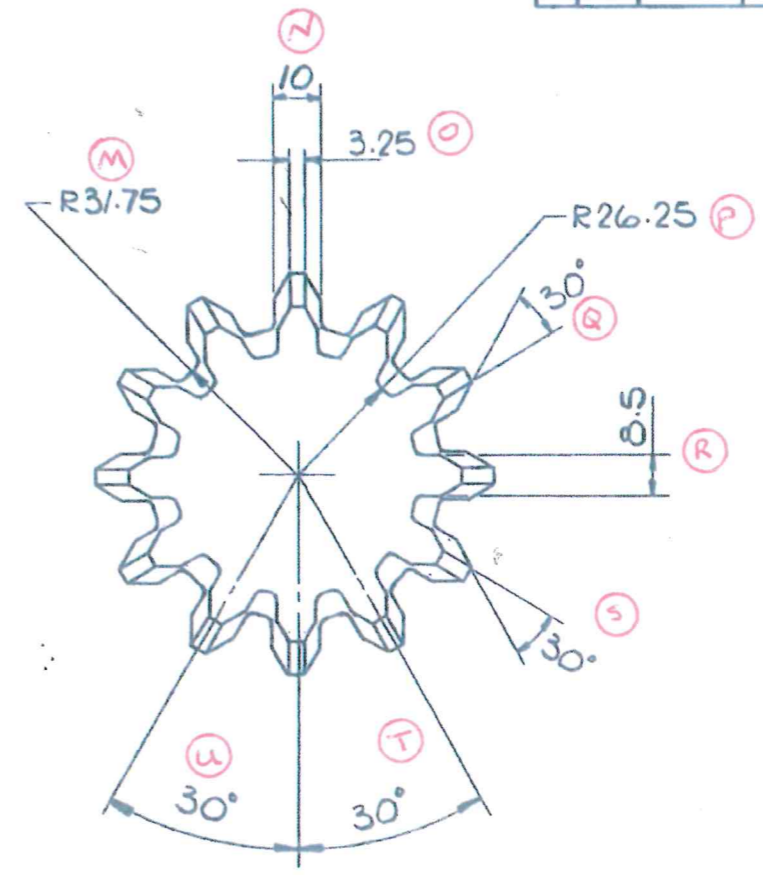
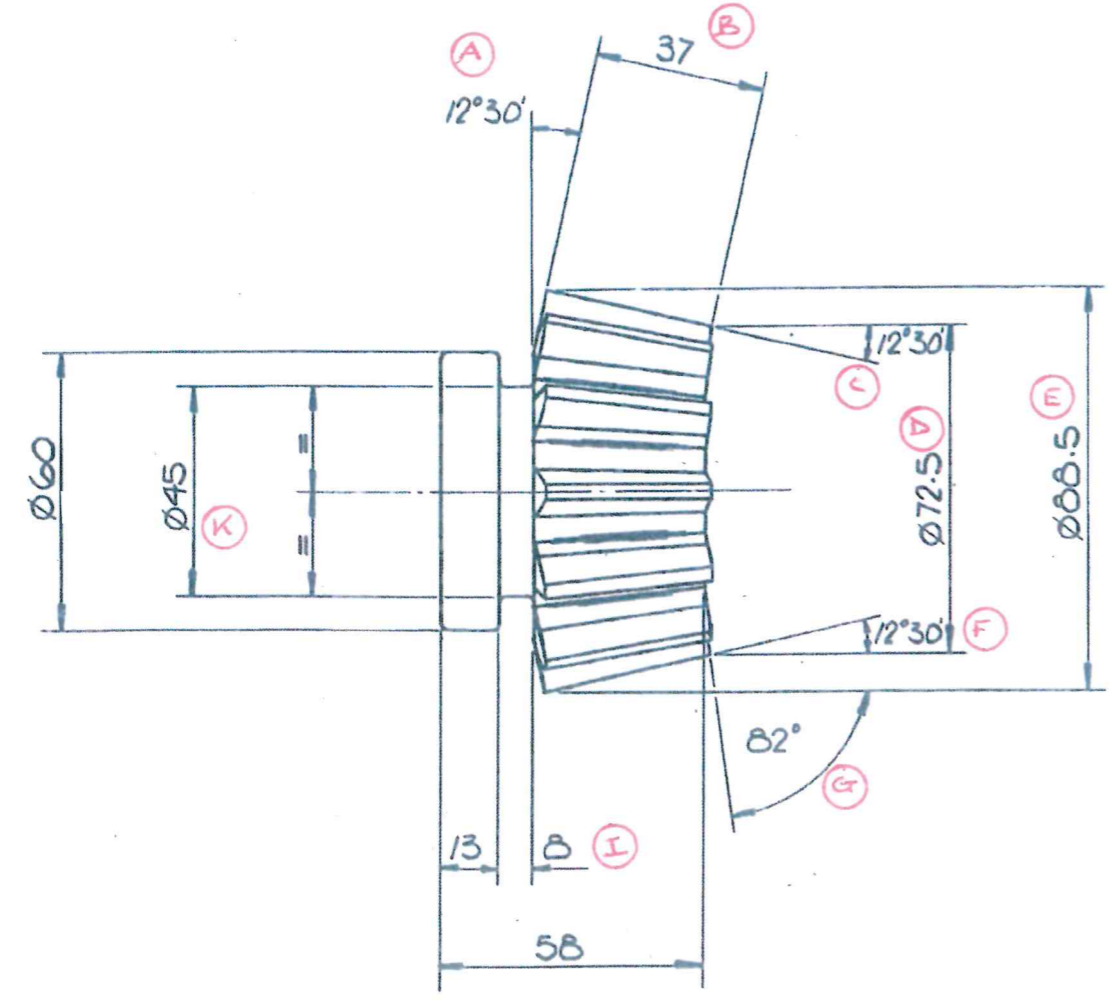
DO-002

DRG No.
A2. 513 2784 00 SS 03
DO NOT SCALE
IF IN DOUBT ASK
REMOVE ALL SHARP EDGES

PROJECTION 

CONTROLLED

CHANGES				
LET	DATE	DATE	PREVIOUS INFORMATION	D I
A	D4	12-12-84	MAT. WAS MEEHANITE 6D	01
B	D4/01	5-2-93	MAT. SPECIFIED AS GRAB 12 ALSO ALTERNATIVE SPEC. OF 802 MK 02	02
		1-10-99	MATERIAL WAS BS3100 GRAB A2 MK 03	03



Ⓟ
ALTERNATIVE MATERIAL
212M36
212M44 TO BS 970

ALL RADII TO BE 2MM.

GEOMETRIC TOLERANCE SYMBOLS			
Characteristic	Sym	Characteristic	Sym
Straightness	—	Angularity	∠
Flatness	▭	Run out	↗
Roundness	○	Position	⊕
Cylindricity	∕	Concentricity	⊙
Profile of a line	∩	Symmetry	≡
Profile of surface	∩	M.M.C.	Ⓜ
Parallelism	//	Squareness	⊥

D	DRAWN CRT.	DATE 3-8-87	DIMENSIONS IN MILLIMETRES.	TITLE BEVEL PINION	PRINT ISSUED ON
	CHECKED MR	DATE 7-12-99	SURFACE TEXTURE VALUES	100-150-175 HAND MIXER	FIRST ISSUED ON
	APPVD PC	DATE 7-12-99	IN μm	MATERIAL	SUPERCEDES
	FOR EXPLANATION OF DIMENSIONS & TOLERANCES SEE BS 308-1972			MACHINE WHERE MARKED ✓	BS 970 - 080M40
WELDING TERMS & SYMBOLS SEE BS 499-1990			TOLERANCE UNLESS OTHERWISE STATED	TREATMENT	SHEET 1 OF 2
			±0.25 ANGULAR ±15'		DRG No.
					A2.513278400
					DO-002