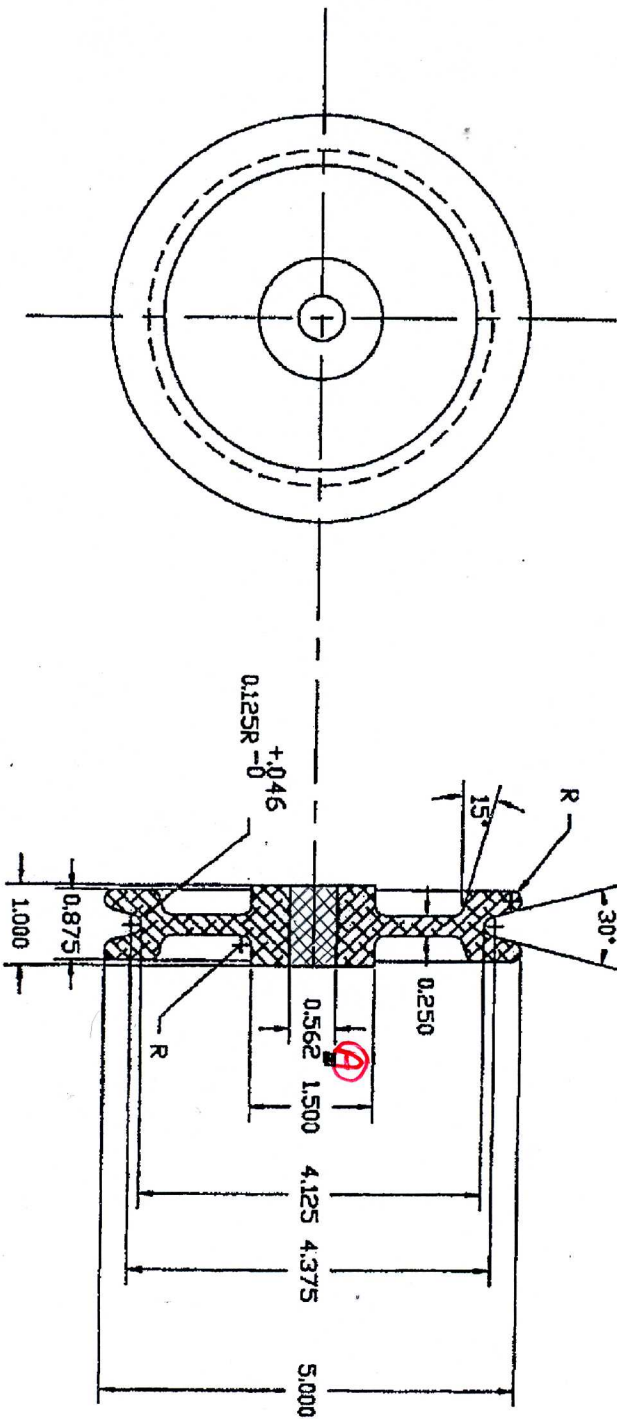


1-31-15 (A) SUPERIOR COMPONENTS, INC.  
 SUPPLYING PARTS WITH SOLID  
 CENTER CORE (0.562") HOLE  
 NOT CUT



PART # 63200080 ZINC PLATED A3 STEEL  
 PART # 64200097 302 STAINLESS STEEL

GE LIGHTING SYSTEMS ROSELAND, N.C. 28778		PART NO. SAND CAST ALUM BRIGIA	
REV. NO.	E.C.N.	REV. NO.	E.C.N.
02	1245-90	000	000
CURRENT		CURRENT	
720		720	
10062		10062	
NOTES ALL DIMENSIONS IN INCHES		NOTES ALL DIMENSIONS IN INCHES	
CRITICAL DIMENSION		CRITICAL DIMENSION	
DATE 10/08/76		DATE 10/08/76	
DRAWN BY R.RAY		DRAWN BY R.RAY	
222531		222531	
SHEAVE (CAST)		SHEAVE (CAST)	
1		1	
20-3-70		20-3-70	

DIFF MATERIALS - ALUM/STEEL STAINLESS 302. ALL 3 TO BE SAME HOLLOW OUTSIDE