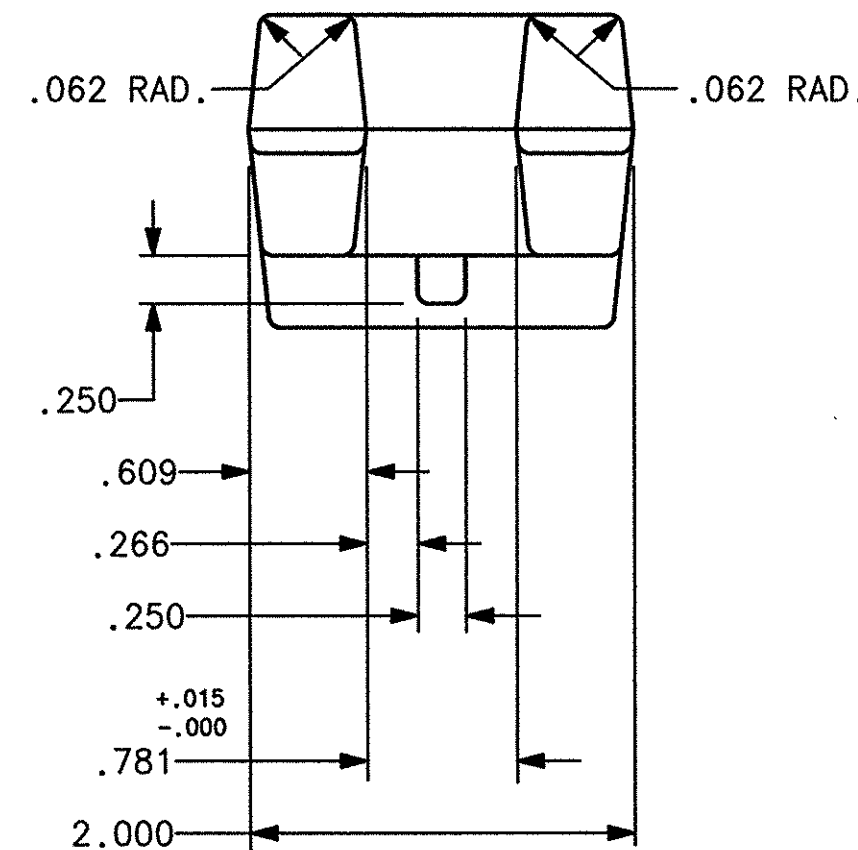
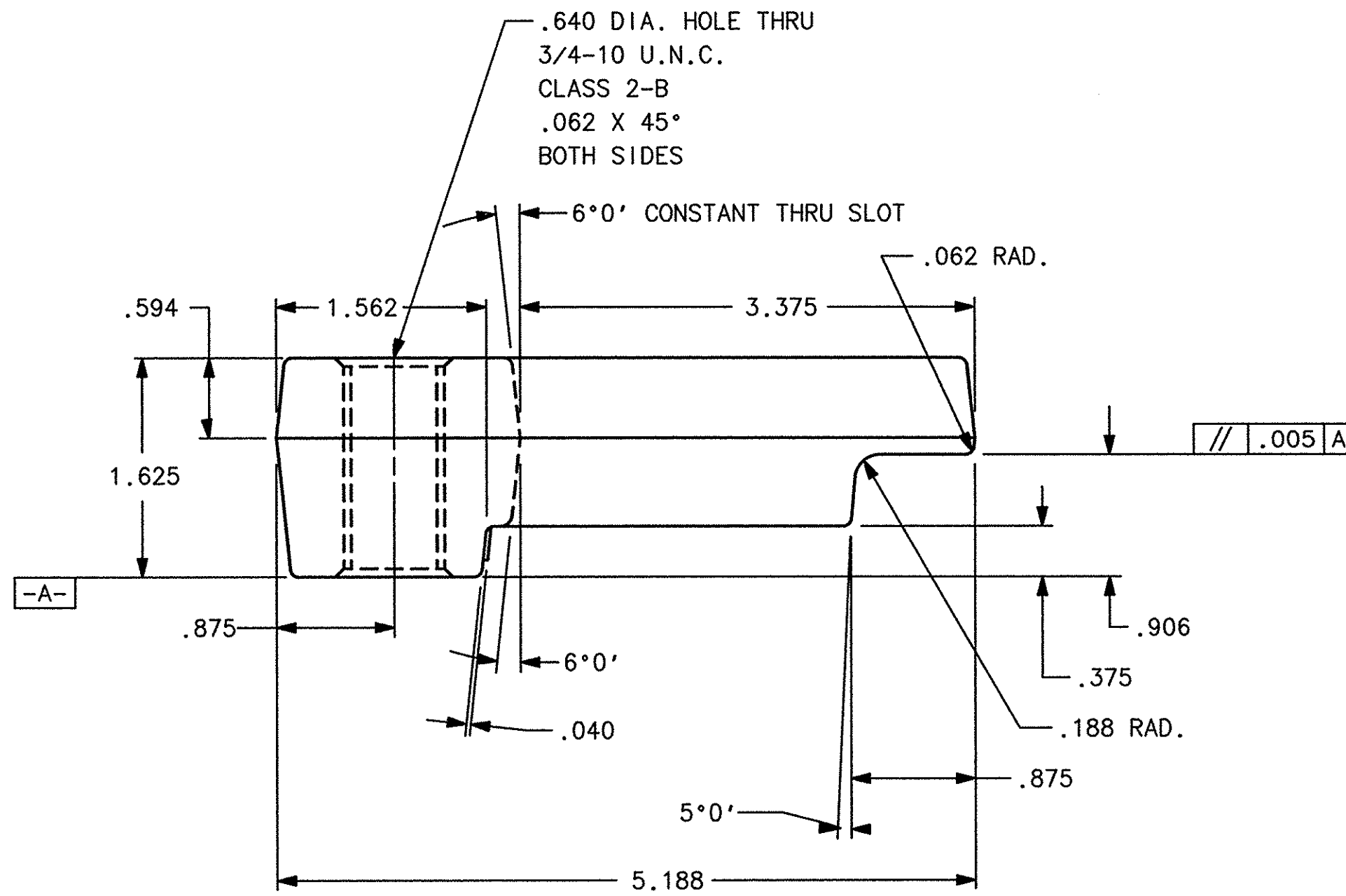
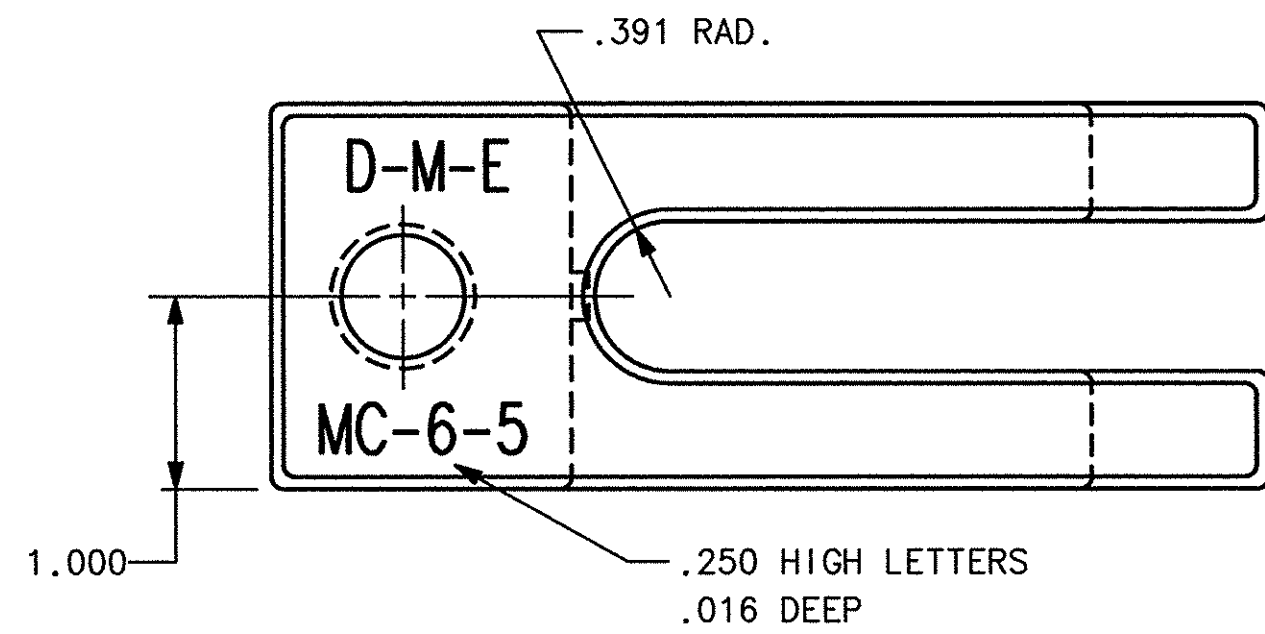


REVISIONS				
E. C. NO.	REV.	DESCRIPTION	BY	DATE
	A	REDRAWN AND RELEASED ON CAD	ADAS	8-28-91
1854	B1	MATERIAL SPECIFICATION WAS AISI 1030 STEEL	KERN	9-6-96
	B2	CORE HARDNESS SPECIFICATION WAS R/C 24-28		
	B3	REVISED DETAIL & ASSEMBLY DESCRIPTIONS		
	B4	ADDED NOTE #4 TO POINT OUT FORGING TOLERANCES		
	B5	ELIMINATED SURFACE HARDENING AND SPECS.		
	B6	ELIMINATED CARBONITRIDING AND SPECS.		
	B7	DRAWING TRANSFERRED TO SDRC		



NOTES:

1. RADII TO BE .094 UNLESS OTHERWISE SPECIFIED.
2. DRAFT ANGLES TO BE 7° MAX. UNLESS OTHERWISE SPECIFIED.
3. BLACK OXIDE FINISH.
4. TOLERANCES SHOWN IN TITLE BLOCK BELOW HAVE BEEN ADJUSTED TO REFLECT THE FORGING PROCESS.

共283件

DETAIL NAME CLAMP BODY - 5" LG. FOR 3/4" DIA. BOLT		SCALE FULL	PROJECT NO. 1575
ASSEMBLY NAME MOLD AND DIE CLAMPS		CATALOG NO. / PART NO. MC-6-5	DRAWING NO. ME-0617-DT-072-B

(B1) MATERIAL AISI 4140 STEEL FORGING	REMOVE ALL BURRS AND BREAK ALL SHARP EDGES .015 MAX UNLESS OTHERWISE SPECIFIED	DIMENSIONS ARE IN INCHES UNLESS OTHERWISE SPECIFIED	DRAWN ADAS	DATE 12-3-90
(B2) HEAT TREAT R/C 34-38		FRACTIONS ± .015 DECIMALS ± .015 ANGLES ± 0° 30'	CHECKED R.W.D.	DATE 8-29-91
			APPROVED FBS	DATE 9-6-96
			SHEET OF	

ME-0617-DT-072B
MC-6-5

This document is proprietary to D-M-E Company. A Fairchild Industries Co., and is not to be used, copied, reproduced, or disclosed in any form without the written permission of D-M-E Company.