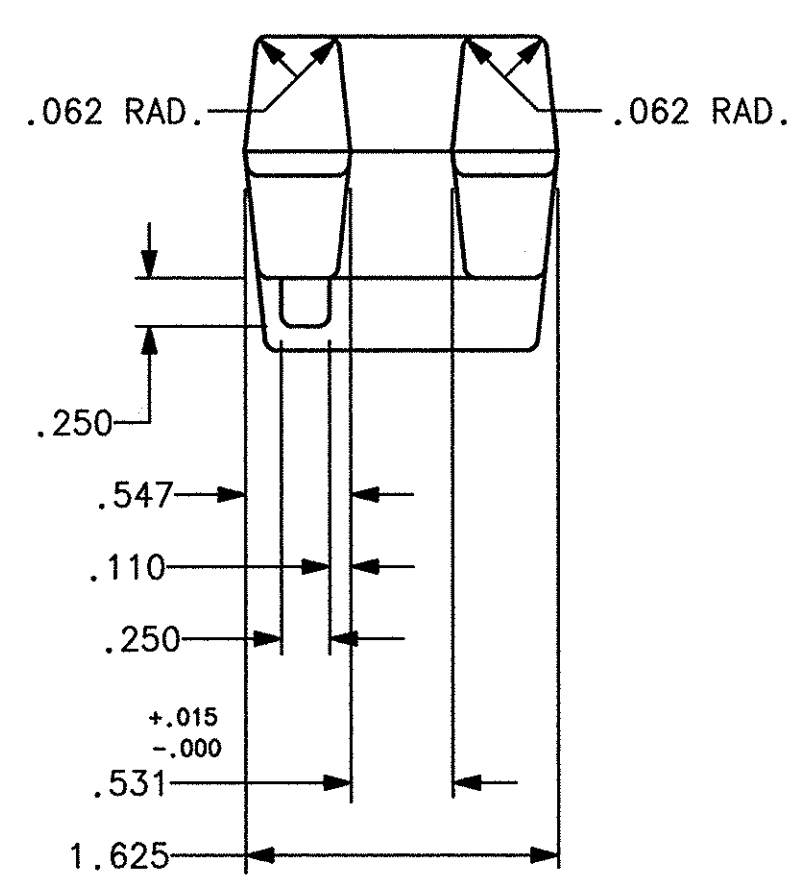
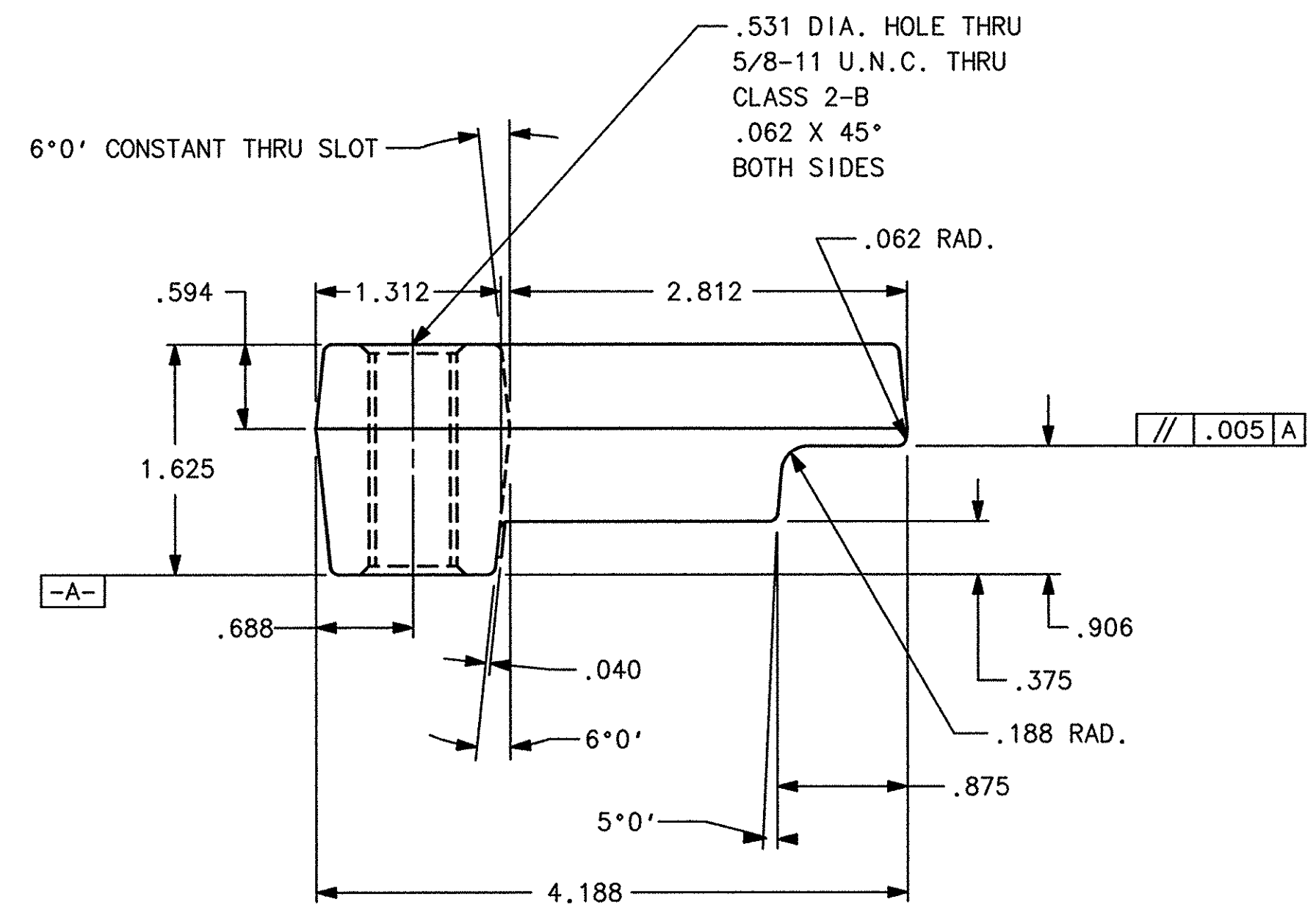
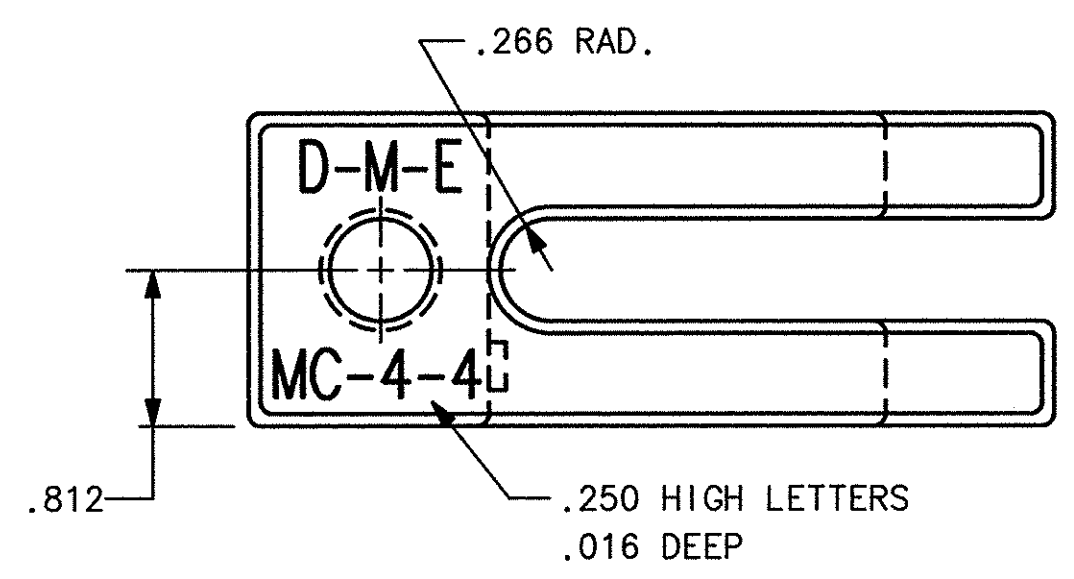


REVISIONS				
E.C. NO.	REV.	DESCRIPTION	BY	DATE
	A	REDRAWN AND RELEASED ON CAD	ADAS	8-28-91
1854	B1	MATERIAL SPECIFICATION WAS AISI 1030 STEEL	KERN	9-6-96
	B2	CORE HARDNESS SPECIFICATION WAS R/C 24-28		
	B3	REVISED DETAIL & ASSEMBLY DESCRIPTIONS		
	B4	ADDED NOTE #4 TO POINT OUT FORGING TOLERANCES		
	B5	ELIMINATED SURFACE HARDENING AND SPECS.		
	B6	ELIMINATED CARBONITRIDING AND SPECS.		
	B7	DRAWING TRANSFERED TO SDRC		



- NOTES:
1. RADII TO BE .094 UNLESS OTHERWISE SPECIFIED.
  2. DRAFT ANGLES TO BE 7° MAX. UNLESS OTHERWISE SPECIFIED.
  3. BLACK OXIDE FINISH.
  4. TOLERANCES SHOWN IN TITLE BLOCK BELOW HAVE BEEN ADJUSTED TO REFLECT THE FORGING PROCESS.

(B4)  
(B5)  
(B6)

共171件

DETAIL NAME CLAMP BODY - 4" LG. FOR 1/2" DIA. BOLT	
ASSEMBLY NAME MOLD AND DIE CLAMPS	
SCALE FULL	PROJECT NO. 1575
CATALOG NO. / PART NO. MC-4-4	
DRAWING NO. ME-0617-DT-069-B	

(B1) MATERIAL AISI 4140 STEEL FORGING	REMOVE ALL BURRS AND BREAK ALL SHARP EDGES .015 MAX UNLESS OTHERWISE SPECIFIED	DIMENSIONS ARE IN INCHES UNLESS OTHERWISE SPECIFIED	DRAWN ADAS	DATE 12-3-90
(B2) HEAT TREAT R/C 34-38		TOLERANCES ARE: FRACTIONS ± .015 DECIMALS ± .015 UNLESS OTHERWISE SPECIFIED ANGLES ± 0° 30'	CHECKED R.W.D.	DATE 8-29-91
			APPROVED FGS	DATE 9-6-96
			SHEET	OF

ME-0617-DT-069-B  
MC-4-4

This document is the property of D-M-E Company, A Division of Indiatelco Co., and is to be used only for the purpose for which it was prepared. It is not to be reproduced, stored in a retrieval system, or transmitted in any form or by any means, electronic, mechanical, photocopying, recording, or by any information storage and retrieval system, without the prior specific written permission of an authorized official of D-M-E Company.